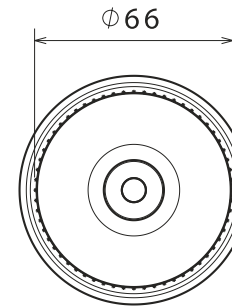
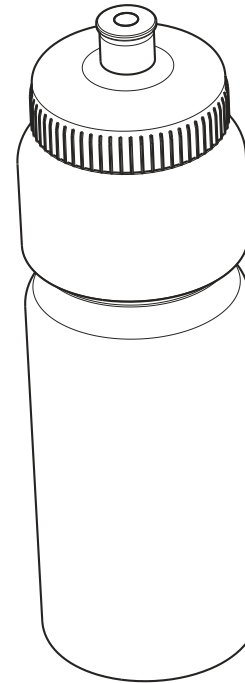
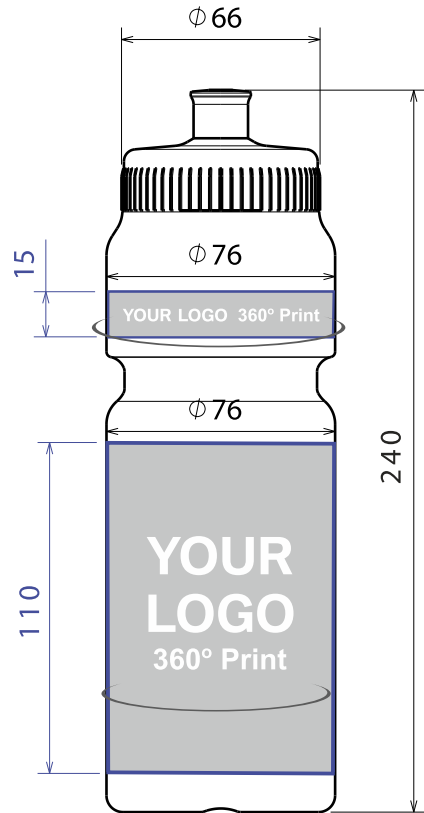


BIDONEX

TECHINFO

BID_009 | 750ml

BIDONEX

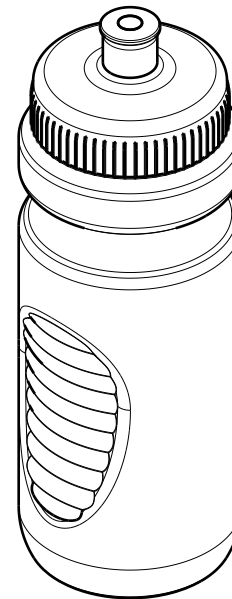
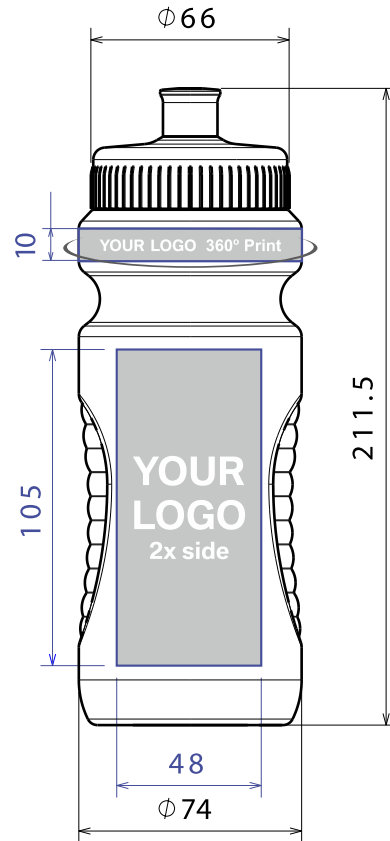


| | |
|---------------------------------------|---|
| Name | BID 009 / 750ml |
| Size (width x height) | 75 x 240 mm |
| Material | HDPE (BPA free, DEHP free, LEAD free, TOXIC free)*; Bio-Components |
| Colour | 14 standard colours (from PANTONE RAL) |
| Logo size (width x height) | Logo 01. 110 x 242 mm (max.) Logo around the bottle 360° Logo 02. 15 x 242 mm (max.) Logo around the bottle 360° |
| Packing details (Gross Weight) | 1 pcs. / 65 g 110 pcs. / Box / 10 kg (800 x 420 x 520 mm) |
| Lead time | 3-14 Working Days + Shipping time |

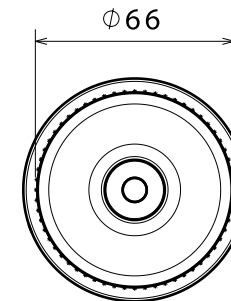
*These chemical materials are not intentionally used for the production or formulation of products by their manufacturers.

BID_011 | 600ml

BIDONEX



↓ PUSH / PULL

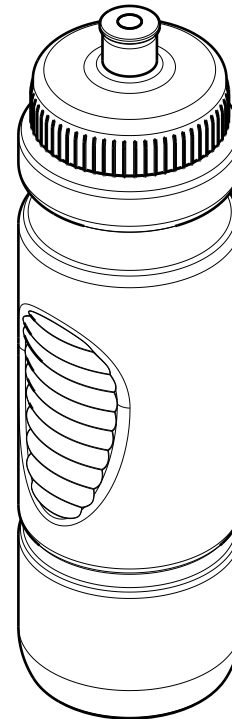
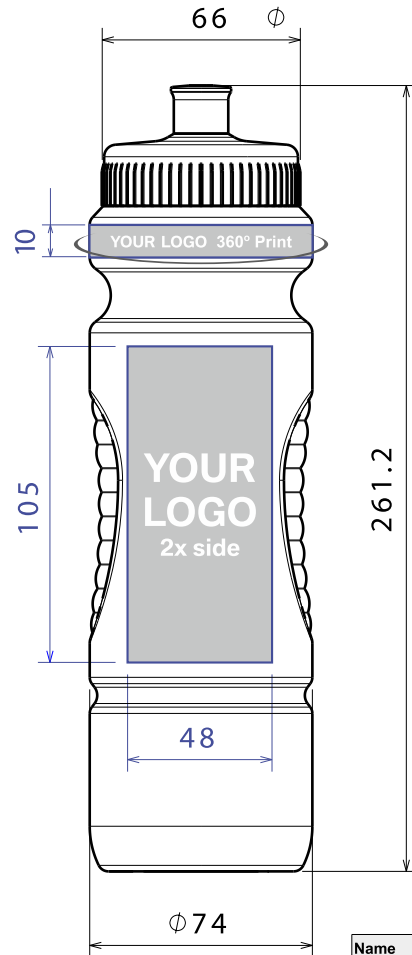


| | |
|---------------------------------------|---|
| Name | BID011 / 600ml |
| Size (width x height) | 74 x 216 mm |
| Material | HDPE (BPA free, DEHP free, LEAD free, TOXIC free)*; Bio-Components |
| Colour | 14 standard colours (from PANTONE i RAL) |
| Logo size (width x height) | Logo 01. 48 x 105 mm (logo on 2 sides) Logo 02. 10 x 213 mm (max.) Logo around the bottle 360° |
| Packing details (Gross Weight) | 1 pcs. / 62 g 140 pcs. / Box / 10 kg (800 x 420 x 520 mm) |
| Lead time | 3-14 Working Days + Shipping time |

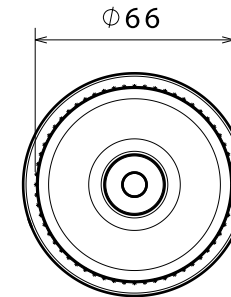
*These chemical materials are not intentionally used for the production or formulation of products by their manufacturers.

BID_012 | 900ml

BIDONEX



↓ PUSH / PULL

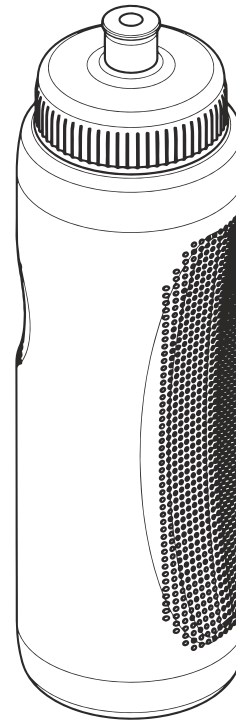
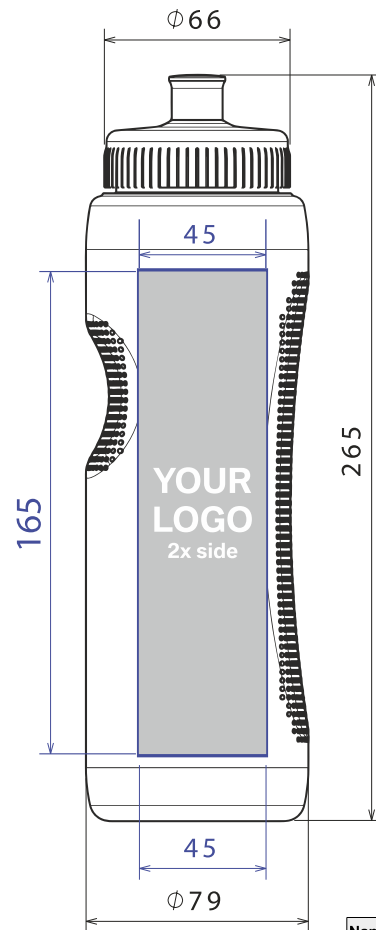


| | |
|---------------------------------------|---|
| Name | BID 012 / 900ml |
| Size (width x height) | 74 x 267mm |
| Material | HDPE (BPA free, DEHP free, LEAD free, TOXIC free)*; Bio-Components |
| Colour | 14 standard colours (from PANTONE i RAL) |
| Logo size (width x height) | Logo 01. 48 x 105 mm (logo on 2 sides) Logo 02. 10 x 213 mm (max.) Logo around the bottle 360° |
| Packing details (Gross Weight) | 1 pcs. / 70 g 120 pcs. / Box / 10 kg (800 x 420 x 520 mm) |
| Lead time | 3-14 Working Days + Shipping time |

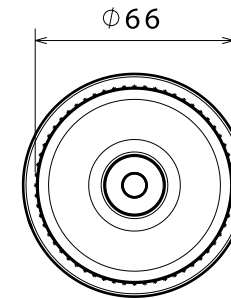
*These chemical materials are not intentionally used for the production or formulation of products by their manufacturers.

BID_013 | 1000ml

BIDONEX



↑ PUSH / PULL



| | |
|---------------------------------------|--|
| Name | BID 013 / 1000ml |
| Size (width x height) | 79 x 265mm |
| Material | HDPE (BPA free, DEHP free, LEAD free, TOXIC free)*; Bio-Components |
| Colour | 14 standard colours (from PANTONE i RAL) |
| Logo size (width x height) | 45 x 165mm (logo on 2 sides) |
| Packing details (Gross Weight) | 1 pcs. / 79 g 100 pcs. / Box / 10 kg (800 x 420 x 520 mm) |
| Lead time | 3-14 Working Days + Shipping time |

*These chemical materials are not intentionally used for the production or formulation of products by their manufacturers.